



# ***GOLDEN ALUMINUM FLOATING DOCKS***



# Golden Aluminum Floating Docks

Golden Marine Systems, LLC has over 35 years of experience in the design, engineering, and manufacturing of aluminum docks and gangways.

Our in-house expertise of industry professionals will assure that your project is correctly designed and manufactured to accommodate site-specific design criteria necessary to deliver a first in class durable product.

Golden docks and gangways are custom designed and manufactured utilizing only the highest quality marine grade material and components.

Our products are made to withstand the elements of nature and time with a life expectancy of 35+ years. Golden also offers an industry leading 10-year limited warranty. Our docks and gangways are virtually maintenance free.

## **Golden Aluminum Floating Docks Benefits:**

- ▣ 6061 T6 Marine Grade Aluminum and Stainless Components
- ▣ Noise Free Urethane Flexi-Block Connections
- ▣ Golden's E-Track Extrusions allow for a multitude of accessories to easily attach and adjust
- ▣ Adjustable Cleats, Piling Guides and Finger Piers
- ▣ A Variety of Decking Options Including, Composite, IPE, and Pavers
- ▣ Service Troughs for Easy Installation and Maintenance
- ▣ Built by a Solid Company with a Golden Reputation in the

# IDEAL SOLUTION FOR YOUR MARINA!

## Manufacturing

Our dedicated workforce is professionally trained and performs under strict guidelines set forth by ISO 9001:2015 and the American Welding Society. Processes and procedures are in place to assure that our structures are manufactured correctly to the highest quality. Attention to detail is taken to both ensure product dependability and finished aesthetics.



## Design & Engineering

Our highly trained certified Design and Engineering professionals combine an emphasis on creativity, technology, and design methodology to develop detailed plans and innovations. We work closely with clients and engineering firms to ensure proper specifications practicality and system functionality. Our team of professionals continually strive to set newer and higher standards industry-wide.



# ALUMINUM PROFILES

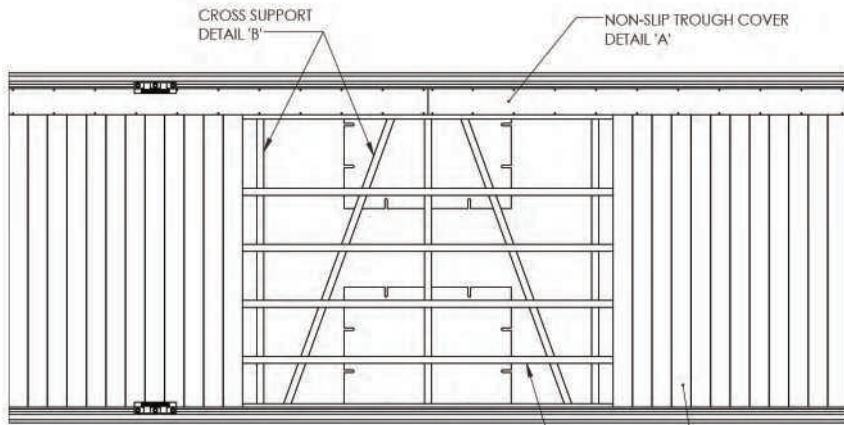
SERIES 850



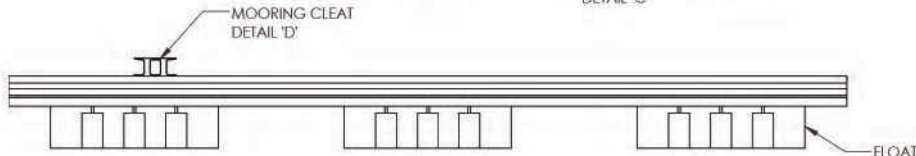
Golden Marine Systems Series 850 single track profile is utilized for light to medium size marinas and is recommended for vessel sizes up to 60'. The single-track system is durable and allows for adjustable cleats, pile guides and finger piers. The system can be manufactured to offer utility troughs that measures up to 4" high by 10" wide.

The system decking is typically 5/4" board by 6". A variety of decking options are available including brick pavers. The dock sections are connected with 80 durometer urethane blocks. The blocks are a noise free connection that allows the system to articulate in wind and wave conditions.

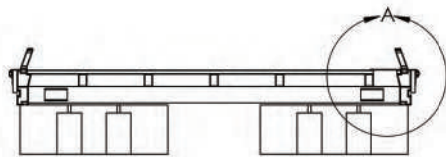




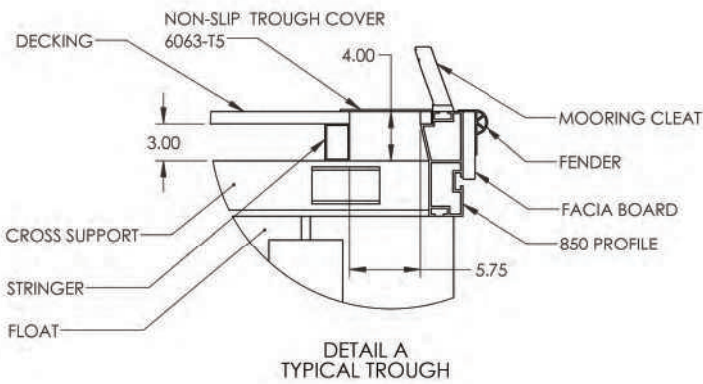
TOP VIEW



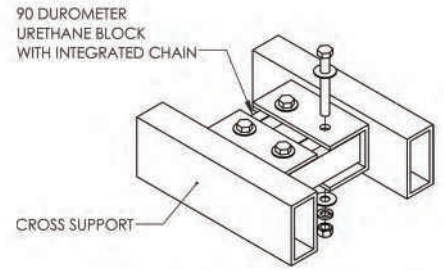
SIDE VIEW



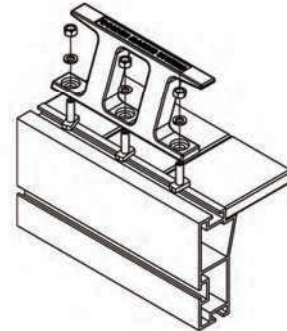
END VIEW



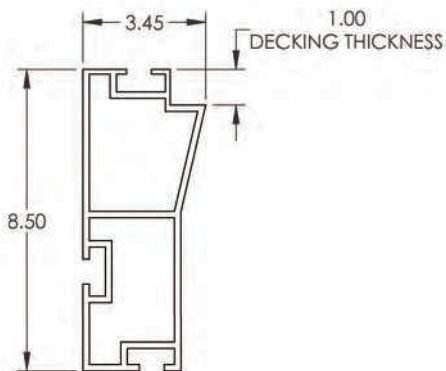
DETAIL A  
TYPICAL TROUGH



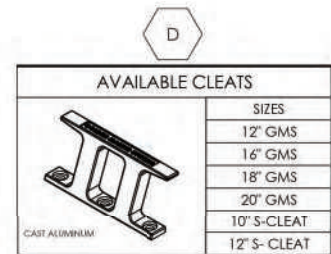
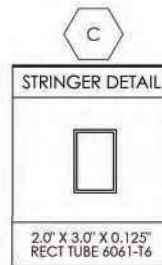
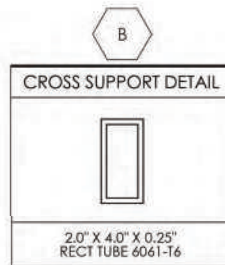
TYPICAL DOCK-DOCK CONNECTION



CLEAT ASSEMBLY DETAIL



850 PROFILE  
(6005A-T61)



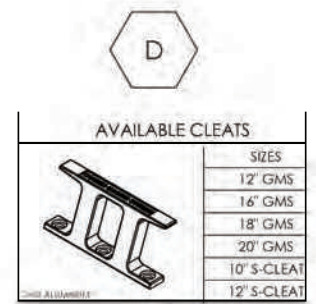
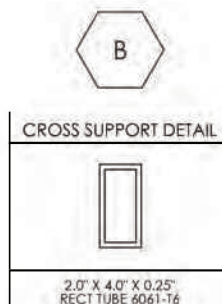
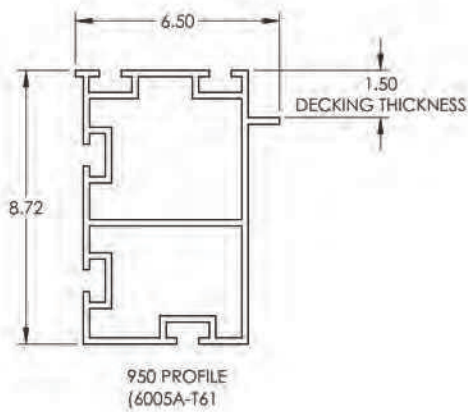
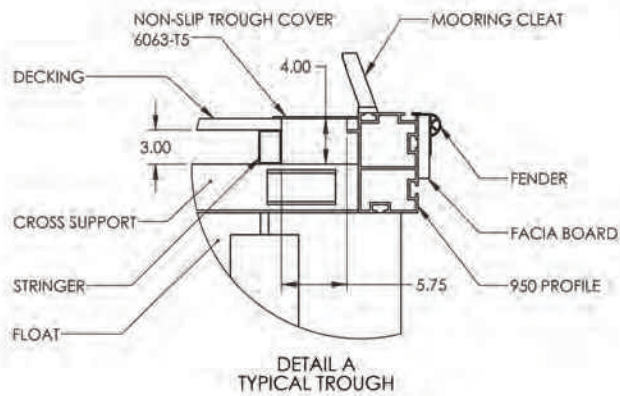
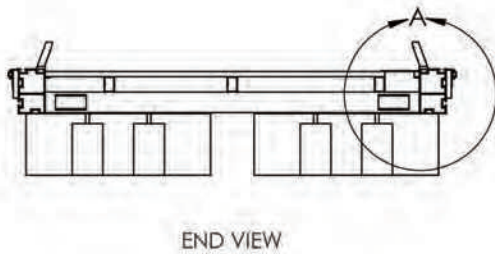
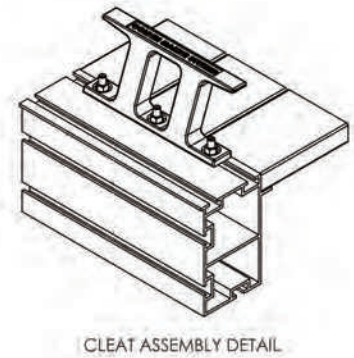
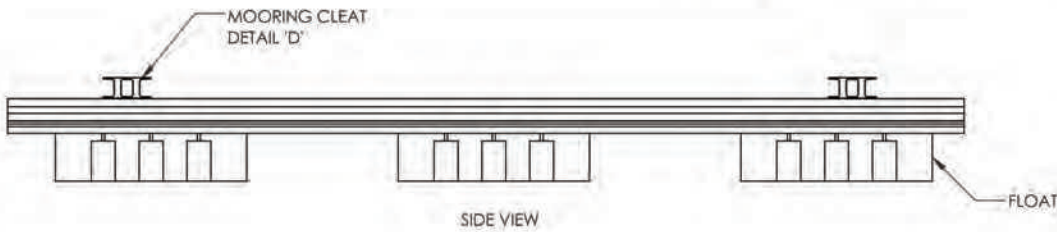
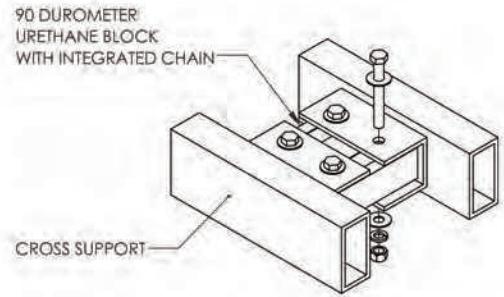
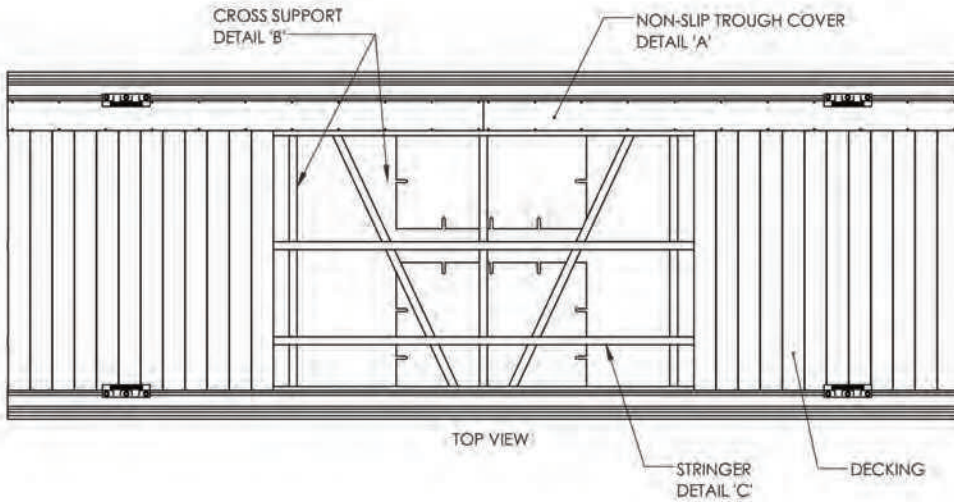
# ALUMINUM PROFILES

SERIES 950



Golden Marine Systems Series 950 double track profile is utilized for medium to mega yacht marinas and is recommended for vessel sizes up to 200'. The double-track system is durable and allows for adjustable cleats and bollards, pile guides and finger piers. The system can be manufactured to offer utility troughs that measures up to 4" high by 12" wide. The system decking is typically 1.5" board by 6". A variety of decking options are available including brick pavers. The dock sections are connected with 80 durometer urethane blocks. The blocks are a noise free connection that allows the system to articulate in wind and wave conditions.





# ALUMINUM PROFILES

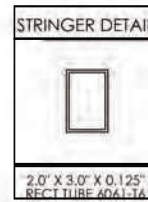
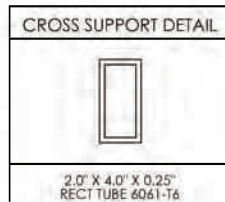
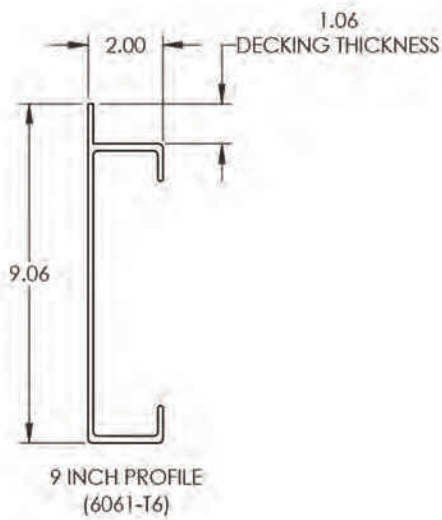
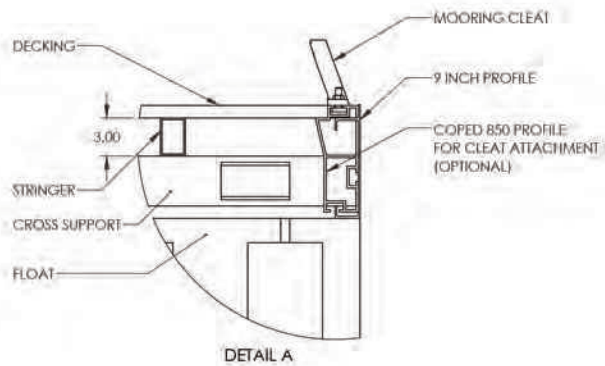
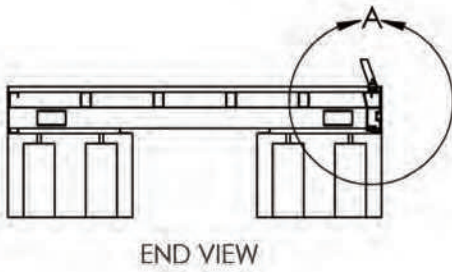
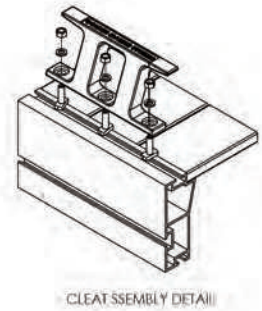
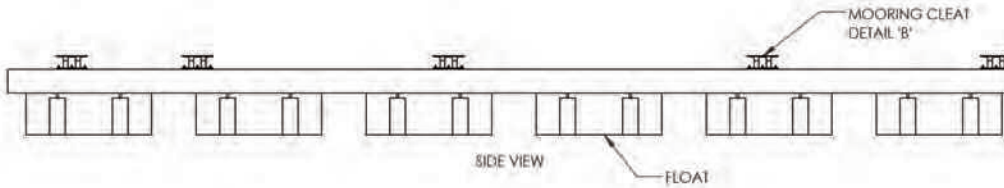
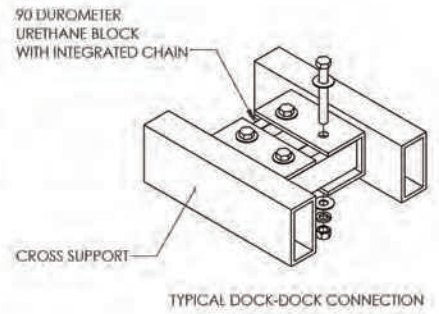
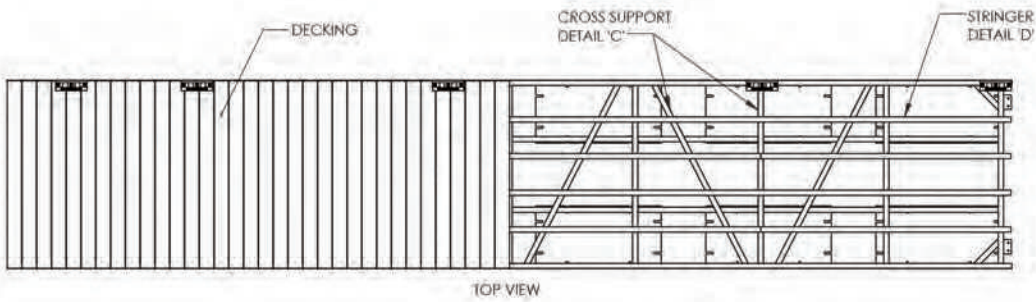
SERIES 9



Golden Marine Systems Series 9 profile is utilized for light duty marinas and is recommended for vessels up to 40'. The system utilizes 6061-T6 E-channel extrusion and 300 series stainless steel hardware. The system can be manufactured to offer service troughs to accommodate the most common utility needs. The system decking is typically 5/4" x 6" board. A variety of decking options are available including brick pavers. The dock sections are connected with 80 durometer urethane blocks. The blocks are a noise free connection that allows the docks to articulate in wind and wave connections.







AVAILABLE CLEATS	
	SIZES
	12" GMS
	16" GMS
	18" GMS
	20" GMS
	10" S-CLEAT
12" S-CLEAT	

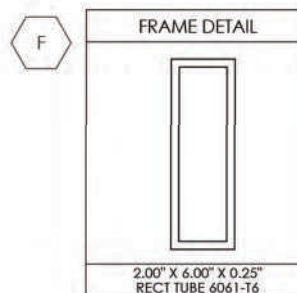
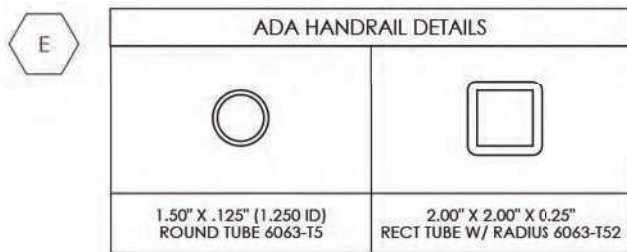
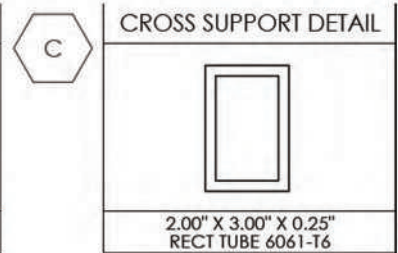
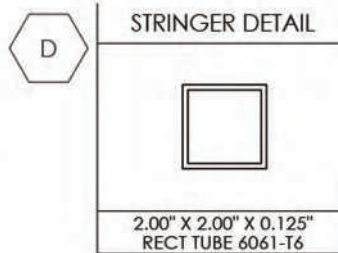
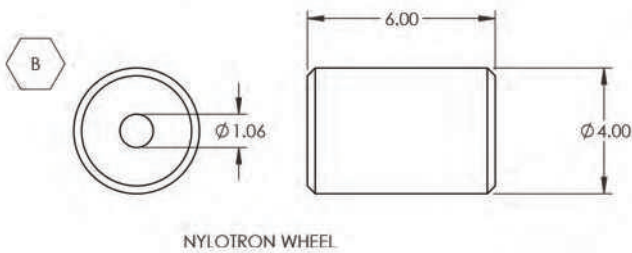
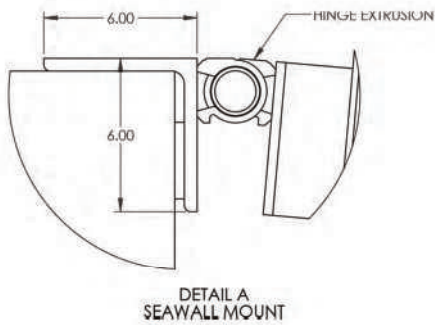
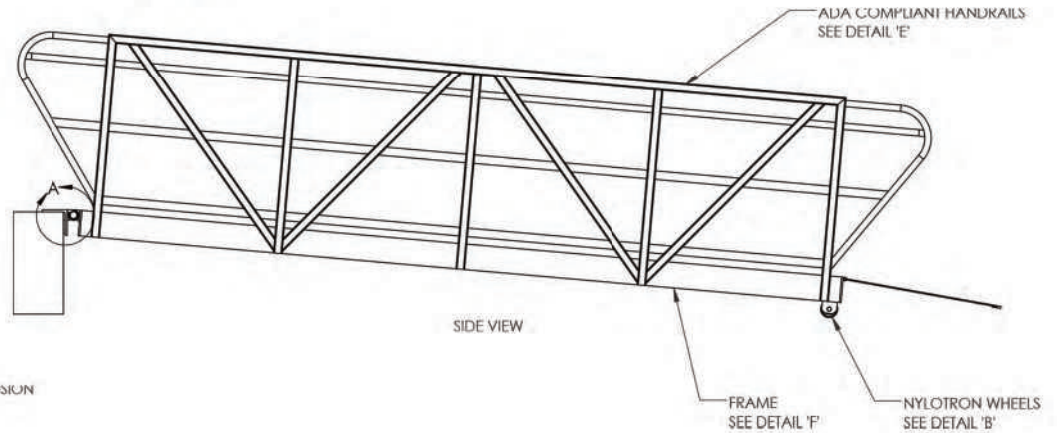
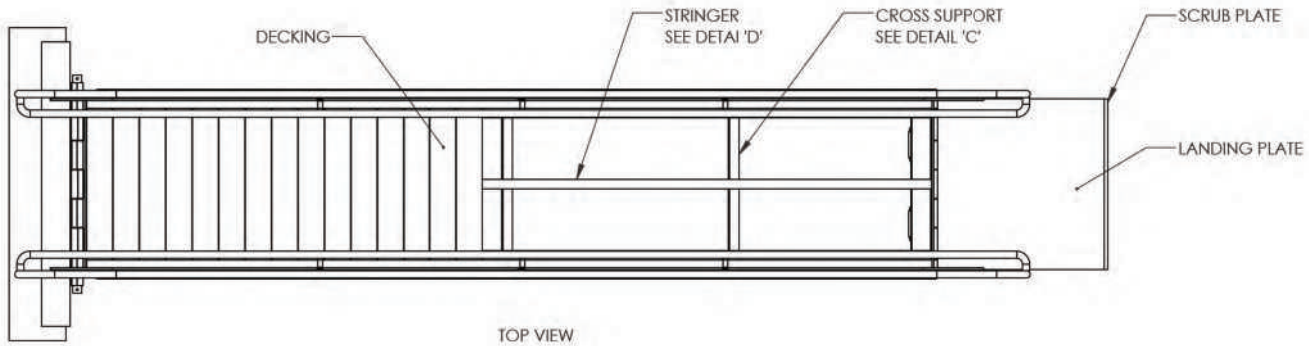
# ALUMINUM GANGWAYS



Golden Marine Systems gangways are manufactured utilizing 6061 T-6 aluminum and 300 Series Stainless. We offer various types of decking from aluminum, composite, natural hardwood and polypro grated decking to mention a few. Our gangways are designed to be maintenance free, strong, versatile and safe. We offer both residential and commercial rated gangways that are ADA compliant and can be manufactured for golf cart accessibility.

## Gangway Highlights:

- ✦ 6061 T6 Marine Grade Aluminum & 300 Series Stainless Steel
- ✦ Various types of decking
- ✦ Diamond plate transition plates
- ✦ Heavy duty mounting plate
- ✦ Nylatron Roller assembly
- ✦ ADA compliant





WHEN IT'S DONE RIGHT...IT'S GOLDEN



## Golden Flotation Systems

17611 East Street

North Fort Myers, FL 33917

Ph: 239-337-4141

[www.goldenmarinesystems.com](http://www.goldenmarinesystems.com)